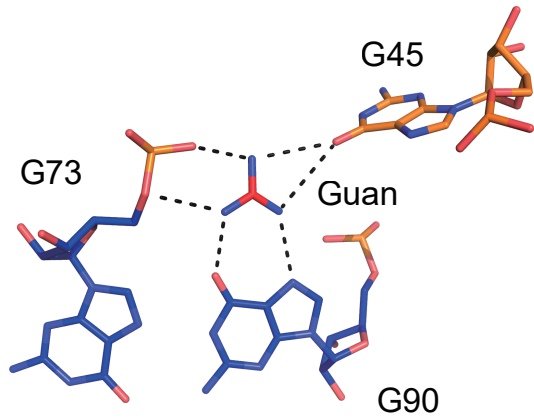
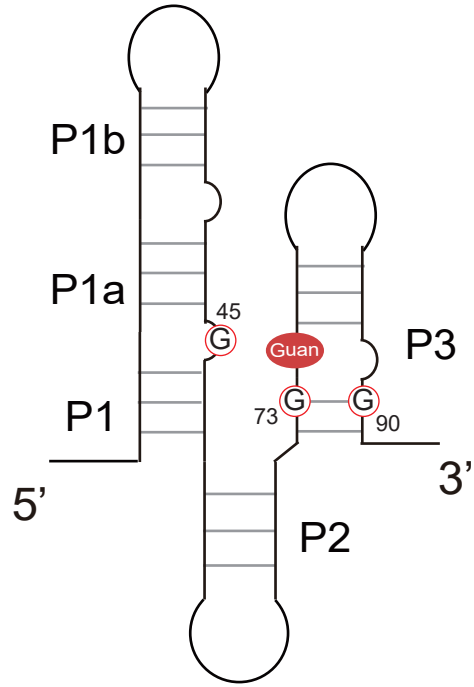
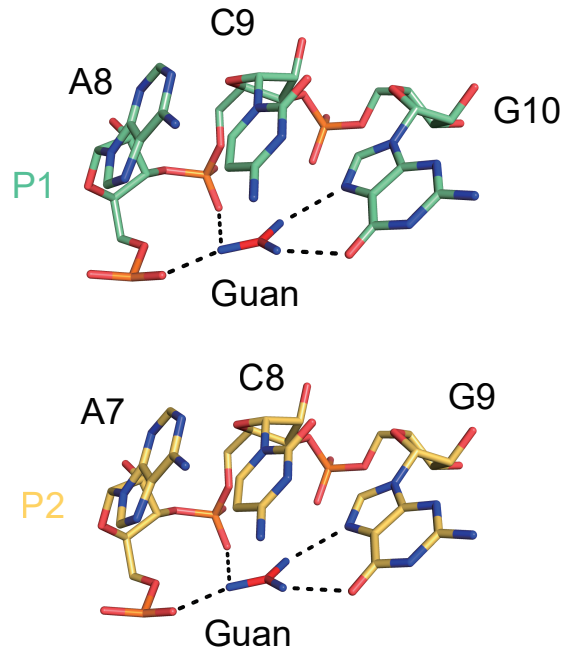
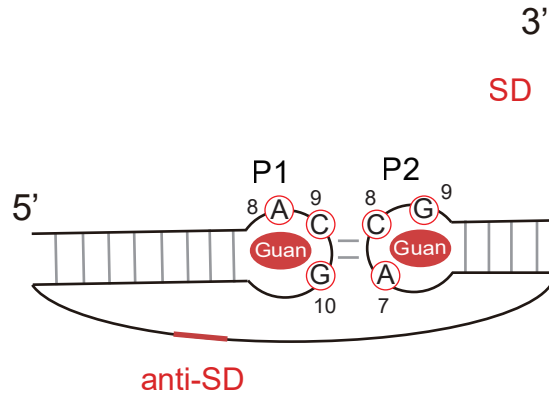


# Guanidine-I



# Guanidine-II



# Guanidine-III

